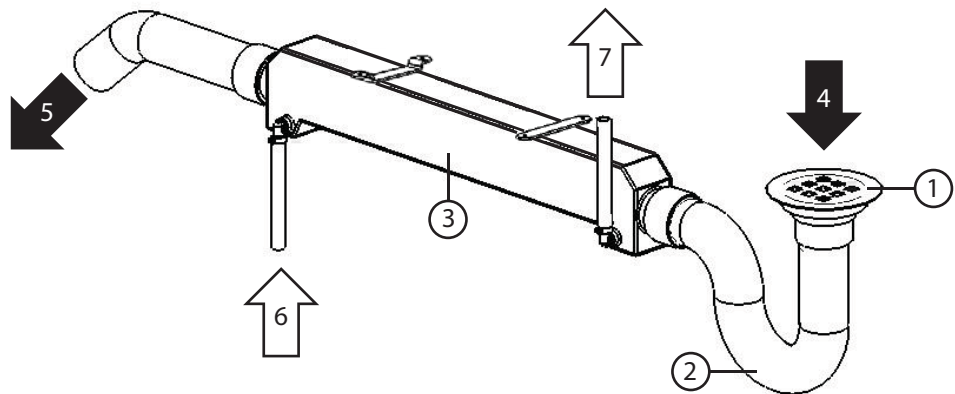


HOT SHOWER DRAINWATER HEAT RECOVERY MODULE

Typical heat exchanger module installation in shower applications

- 1- Shower floor drain
 - 2- P-trap
 - 3- Heat exchanger module
 - 4- Grey water inlet (hot temperature)
 - 5- Grey water outlet (cool temperature)
 - 6- Cold water inlet (from aqueduct)
 - 7- Heated (cold) water outlet (to cold side of shower faucet)
- } Drain
- } Supply



Specification drawings

